



Model E523/D X/Y Stereo Field Recording
Microphone Specification Sheet

Model: E523/D

X/Y Stereo Field Recording Microphone Specification Sheet

For phantom power and battery

Description

The E523/D is configured with an X/Y stereo arrangement for live sound field recording. It is equipped with closely matched pair of capsules to provide the spatial impact and realism of a live sound field. The E523/D is particularly well suited for broadcast, pro-audio recording and digital field recording.

The microphone has two balanced outputs and works well with Pro or Consumer audio and video equipment.

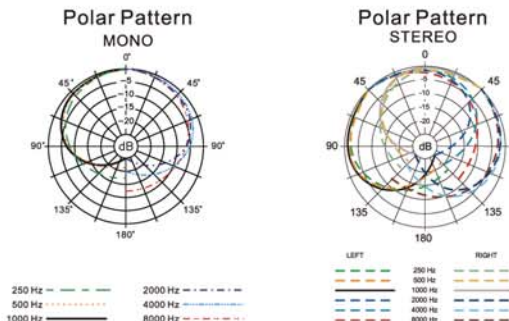
The built-in switchable low cut filter and the ability to operate on battery or phantom power combined with its lightweight and compact design makes the E523/D ideal for audio for video applications.



Features

- ▶ Designed for broadcast and professional recording, and DAT field use
- ▶ Compact design is perfect for camera-mount applications
- ▶ Closely-matched elements provide the spatial impact and realism of a live sound field
- ▶ Switchable low-frequency roll-off
- ▶ Operates on battery or phantom power
- ▶ Includes a 16.5' (5 m) cable (5-pin XLR-F to two standard 3-pin XLR-M connectors)

Polar Pattern and Frequency Response

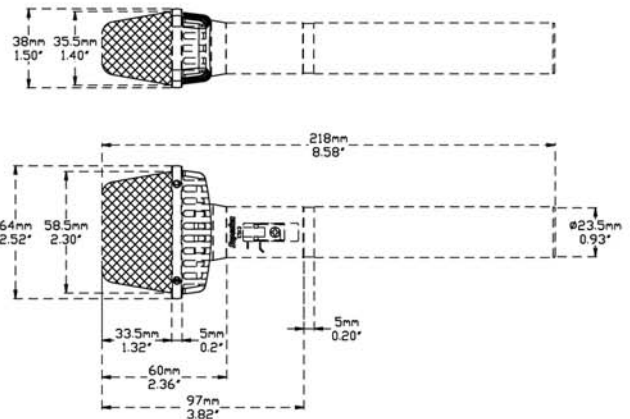


Specifications

Elements:	Fixed-charge back plate, permanently polarized condenser
Polar pattern:	X/Y Stereo
Frequency response:	30~20,000Hz
Low frequency roll-off:	150Hz, 6dB/oct.
Open circuit sensitivity:	-47dBV/Pa (4.4 mV/Pa) at 1kHz*
Channel balance:	≤2.5dB
Impedance:	200Ω , balanced
Max. SPL:	126dB SPL, 1kHz at 1% T.H.D.
Signal-to-noise ratio:	70dB, 1kHz at 1 Pa
Dynamic range (typical):	102dB, 1kHz at Max SPL
Phantom power requirements:	5-52V DC, 2 mA (each channel)
Battery type:	1.5V AA/UM3
Battery current / life:	2mA / 1000 hours typical (alkaline)
Switch:	Flat, roll-off
Output connector:	Integral 5-pin XLR-M type
Cable:	16.5' (5 m) long, 5 conductors under two shields, vinyl-jacketed, stereo cable with 5-pin XLR-F-type connector at microphone end, two 3-pin XLR-M-type connectors at output end
Dimensions:	Ref. to following illustration
Weight:	340g (12oz)

* 1Pa=10 microbars=94dB SPL

Dimension



Accessories included

- 5-meter stereo signal cable ❶, HM-38 clamp ❷, and protective punch.



Optional Accessories

- S-50 wind screen , HM-40C camera mount ❸ .

The issuing date: Oct. of 2006 revision: v1.00

E523/D XY Stereo Field Recording Microphone Specification Sheet



www.avlex.com Toll Free: 877-447-9216