

Superlux[®]**CONTRACTOR GRADE****E322 Series Gooseneck Microphones**

E322LB

The Superlux E322 Series of gooseneck quick-mount back-electret condenser microphones are designed primarily for speech and vocal reinforcement applications. The E322 is available in two overall lengths; 15 and 20 inches, and in a number of configurations with features such as a large 9.7mm diaphragm, RF shielding, high pass filter, on/off switch with LED indicator and either a white or black finish. These versatile install products are ideal in boardrooms, conference and meeting rooms, simultaneous translation environments, council chambers, courtrooms, and places of worship. Whether on a lectern or pulpit, on a desktop or conference table, the Superlux family of gooseneck microphones are the perfect solution.

SPECIFICATIONS

Element	9.7mm Back Electret Condenser
Polar Pattern	Cardioid
Frequency Response	40—20,000 Hz
Sensitivity	-40dBV/Pa (10mV/Pa) 1 Pa = 94dB SPL
Equivalent Noise	< 24dB (A-weighted)
Dynamic Range	103dB (1000 ohm load)
Minimum Load Impedance	2000 Ohms
Rated Impedance	600 Ohms
Max SPL	127dB (THD ≤ 1% 1kHz)
Dynamic Range	103dB (1000 ohm load)
Low Frequency Roll-off	100Hz, 12dB/OCT (E322L & E322M)
Phantom Power Requirements	9 to 48 VDC
Finish	Black or White
Connector	3 pin Male XLR
Weight	E322L 7.76oz. E322M 5.64 oz.

E322 Series Features

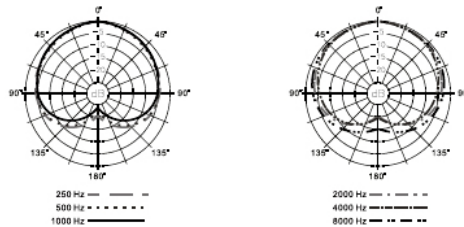
- Cardioid and polar pattern
- 9.7mm back electret condenser
- RF shielding
- High-pass filter (E322L & M)
- On/Off switch with LED (E322LS & MS)
- 15 and 20 inch overall lengths
- Balanced preamplifier output
- Shock mount included
- Compression-lock flange mount included
- Foam windscreen included

Replacement Parts & Accessories

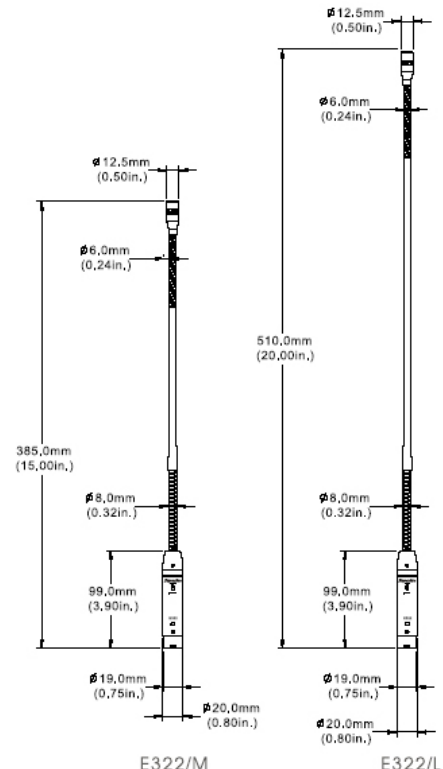
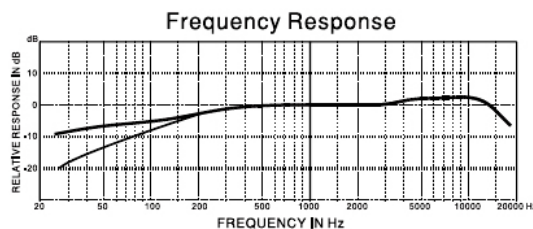
- S21 Black foam windscreen
- HM22 Compression-lock flange mount
- HM23 Shock mount
- HM24 Premium shock mount, tinned leads
- HM24C Premium shock mount, XLR termination
- HM-30 Stand mount



E322MWS, E322MBS



TYPICAL POLAR PATTERN



E322/M

E322/L

Avlex
Corporation

Toll Free: 877-447-9216 Toll Free Fax: 877-462-9216 www.avlex.com