

Superlux[®]**CONTRACTOR GRADE****E324 Boundary Microphone**

Superlux E324W & E324B



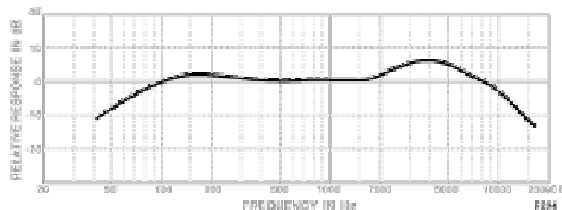
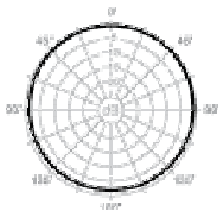
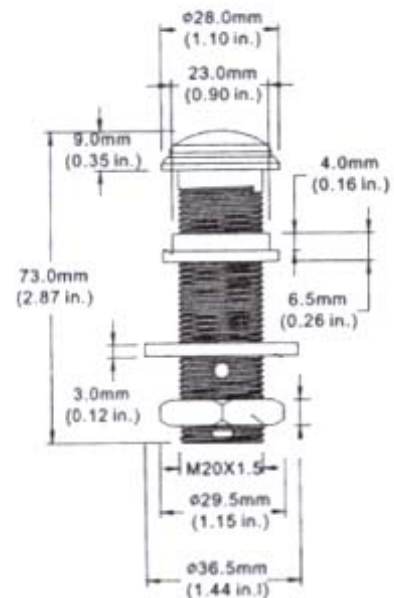
The Superlux family of boundary microphones represent exceptional value and performance in the installed sound, sound reinforcement and recording environments.

The E324 is a professional solution for teleconferencing, distance learning, courtroom, conference and meeting rooms, stage, council chambers and worship applications. Elegant and unobtrusive, the E324 features a back electret omni condenser, wide dynamic range, low noise balanced inline preamplifier and XLR connectivity.

Available in black or white the Superlux E324 has an extended frequency response and a switchable low-cut/high-pass filter. This versatile microphone is an excellent choice for any situation where high quality sound and low-profile aesthetics are essential.

SPECIFICATIONS

Element	Back Electret Condenser
Polar Pattern	Omni directional
Frequency Response	60—14,000 Hz
Sensitivity	-30dB/V (32mV/Pa) at 1000 Hz \pm 3dB
Equivalent Noise	< 26dB (A-weighted)
Impedance	200 Ohms
Max SPL	132dB at 1000 Hz (THD \leq 1% 1kHz)
Dynamic Range	106dB (1000 ohm load)
Phantom Power Requirements	9 to 52VDC
Finish	Low Gloss White or Black
Connector	3 pin Male XLR
Weight	2.30 oz.
RoHS	Product and Packaging Follow EU 2002/95/EC and Comply to RoHS Requirements



Avlex
Corporation

Toll Free: 877-447-9216 Toll Free Fax: 877-462-9216 www.avlex.com