

HM85BCS/HM85WCS



The Avlex HM85 Series Hanging Microphones deliver exceptional value and performance in the professional recording and installed sound environments. These miniature “shotgun”-style hanging mics are designed to be suspended from ceilings, making them ideal for choirs and theatrical productions as well as choral and other musical ensembles. Whether it is on a professional theatrical stage, above a stage or in an orchestra pit at a school, hanging above a choir or over the baptistry in a



church, or simply used for audience response, remote monitoring or ambience recording, the HM85 hanging microphones are the perfect solution for numerous overhead miking applications. Both models feature a wide-range miniature electret condenser microphone and hypercardioid polar pattern to give maximum pick-up while rejecting unwanted ambient sounds from the sides and minimizing feedback problems.

FEATURES

- Hypercardioid polar pattern gives excellent audio pickup while minimizing unwanted spurious off-axis noises.
- Slender design makes it unobtrusive when suspended from ceilings.
- Your choice of white or black finish to match your surroundings.
- Wide dynamic range, tailored frequency response and excellent polar uniformity for natural and accurate sound reproduction.
- Your choice of balanced preamplifier ~ inline barrel or optional ceiling plate mounted preamp.
- Supplied with color-coordinated attached 30' (9.2m) microphone cable, vinyl-coated wire mic cable hanger and foam windscreen.

AVLEX Corporation

HM 85 SERIES GENERAL SPECIFICATIONS

TYPE: Professional Choir Microphone

MODEL: HM-85BCS / HM-85WCS

ELECTRONIC SPECIFICATIONS:

Directional Characteristics:	Hypercardioid
Element:	Back Electret Condenser
Frequency Response:	50 Hz ~ 16,000 Hz
Impedance:	250Ω ± 30% (@1,000 Hz)
Sensitivity:	-52 dB ± 3 dB (0 dB = 1 v/micro bar 1KHz indicated by open circuit)
Operating Voltage:	Phantom Power, 9V ~ 52V D.C.
Current Drain:	Less than 2.0mA
Max Input SPL:	130 dB (1KHz @ 1% THD)

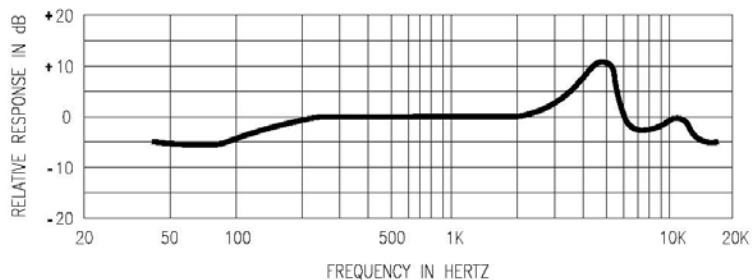
MECHANICAL SPECIFICATIONS:

Dimensions:	Ø0.5" x 6" (12 x 135.3mm)
Weight:	2.0 oz. (57g)
Connector:	3 Pin XLR Male
Cable:	Ø0.1" x 30' (2.6mm x 945cm)

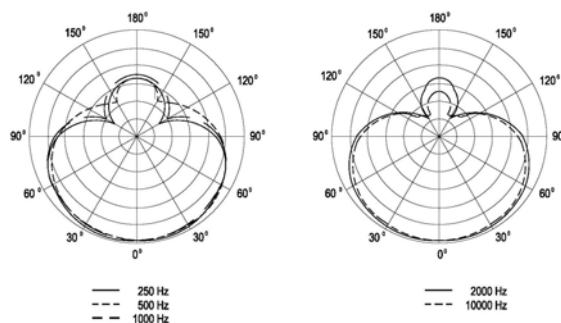
METHOD & TYPE OF MEASUREMENT:

Measurements made according to JIS C-5502 with a Brüel & Kjær –type 2012 with digital turntable system.

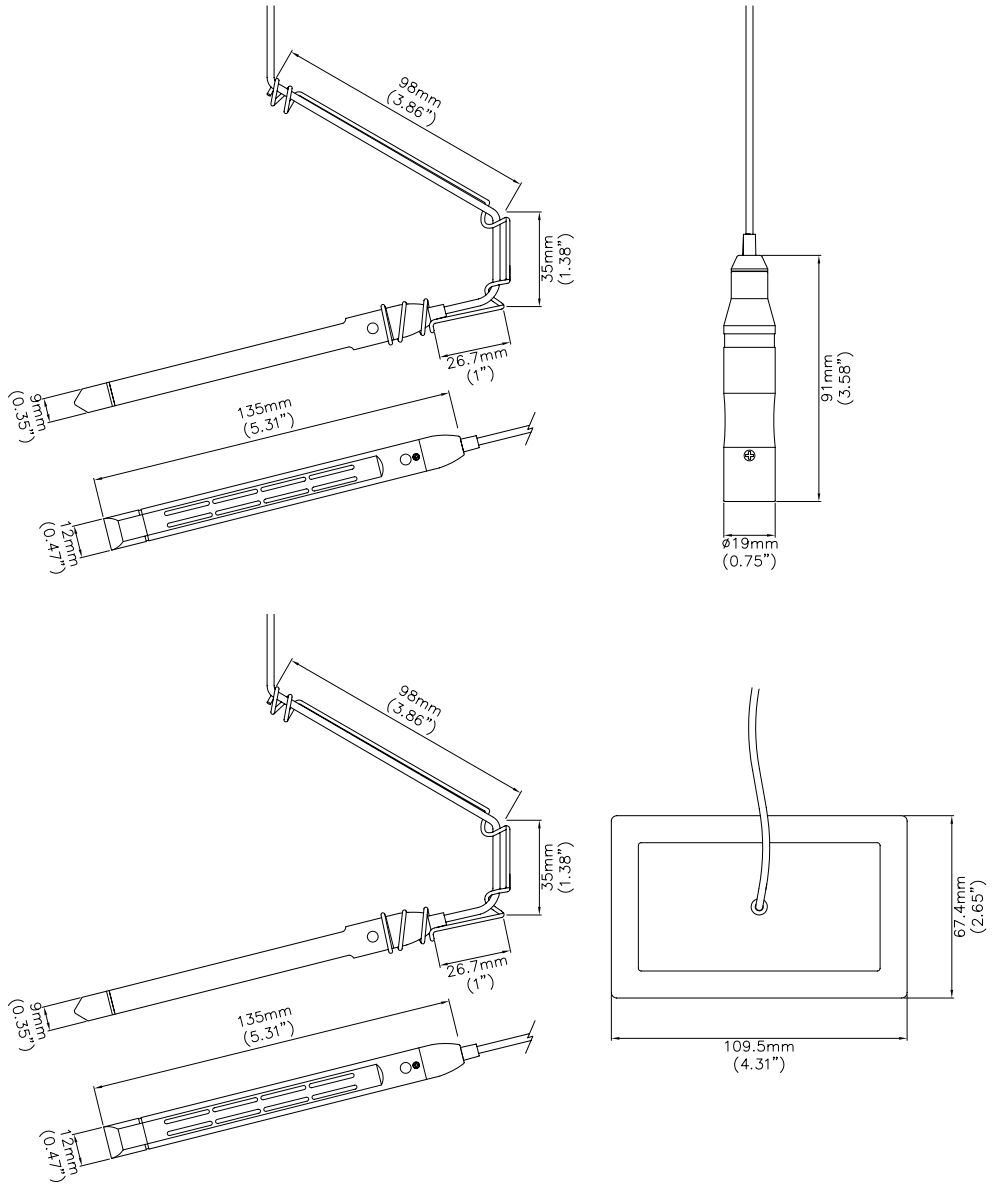
FREQUENCY RESPONSE CURVE:



POLAR PATTERN:



AVLEX Corporation HM-85 HANGING MIC DIMENSIONS



Avlex Corporation 9900 Pflumm Road, Unit 19, Shawnee Mission, KS 66215-1231
 Toll free: 877-447-9216 Phone: 913-906-9216 Fax: 913-906-9225 Web: www.avlex.com