

## SPECIFICATION SHEET

### HM81BC-30, HM81BC-60, HM81WC-30, HM81WC-60

### Contractor Microphone

#### DESCRIPTION

The HM Series is a family of miniature electret condenser microphones designed to be suspended from ceilings. Whether it is on a professional theatrical stage or above a stage at a school, in an orchestra pit, hanging above a church choir or over the baptistry, or simply for audience response, remote monitoring, or ambience recording, the Avlex HM Series microphones are the perfect solution for numerous overhead miking applications. All models offer your choice of two styles of preamplifiers, and come with interchangeable cardioid, supercardioid, and omnidirectional cartridges.

#### FEATURES

**HM81BC-30, HM81WC-30,  
HM81BC-60, HM81WC-60**

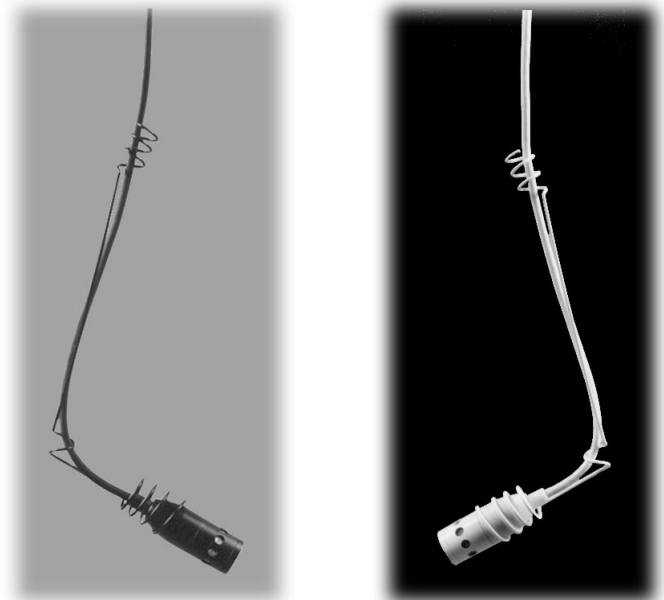
- **Cardioid polar pattern**
- **Interchangeable cartridge design**
- **White or black finish available**
- **Wide dynamic range**
- **Inline barrel preamp**
- **Color co-ordinated attached microphone cable, wire mic cable hanger, and inline barrel preamp preamplifier included**

#### APPLICATIONS

For professional recording and installed sound applications.

#### REPLACEMENT PARTS & ACCESSORIES

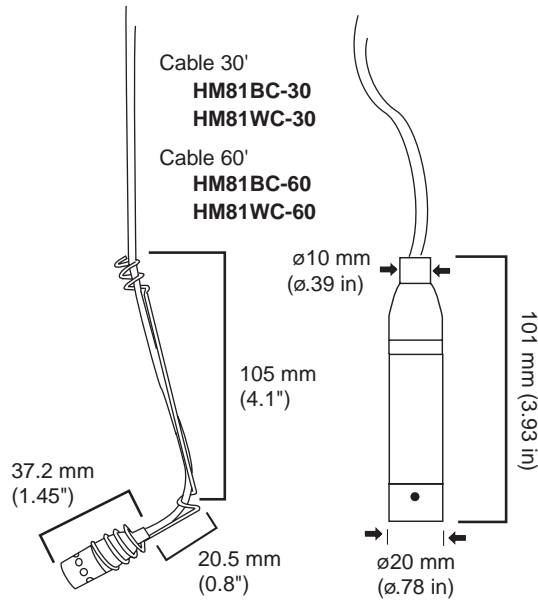
- **HM-BWS** Black foam windscreen
- **HM-WWS** White foam windscreen
- **HM-BWH** Black wire mic cable hanger
- **HM-WWH** White wire mic cable hanger
- **O-B** Black omnidirectional element
- **S-B** Black supercardioid element
- **C-B** Black cardioid element



#### SPECIFICATIONS

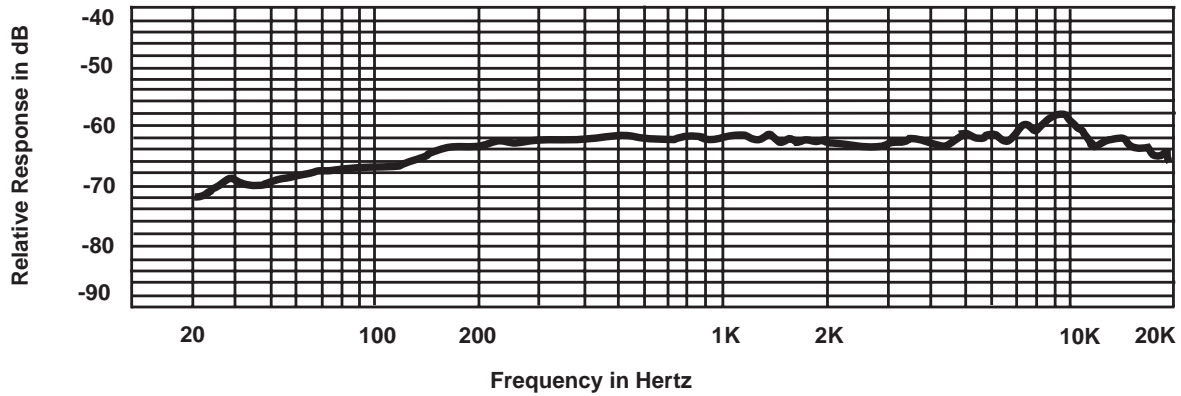
	<b>HM81BC-30, HM81BC-60 HM81WC-30, HM81WC-60</b>
<b>ELEMENT:</b>	Condenser
<b>PATTERN:</b>	Cardioid
<b>FREQ. RES.:</b>	30Hz~18KHz
<b>IMPEDANCE:</b>	250Ω±30%
<b>SENSITIVITY:</b>	-65dB±3dB
<b>MAX. SPL:</b>	135dB
<b>S/N RATIO:</b>	65dB
<b>DYNAMIC RANGE:</b>	100dB
<b>MUTE SWITCH:</b>	None
<b>POWER REQUIREMENTS:</b>	22V~52V D.C. Phantom
<b>OUTPUT CONNECTOR:</b>	3 pin XLR Male
<b>MIC DIMENSIONS:</b>	9.6ø x 30.3mm (.37ø x 1.82in)
<b>WEIGHT:</b>	171g (6.03oz) mic, hanger, 30' assembly, and preamp
<b>CABLE DIMENSIONS:</b>	HM81BC-30, HM81WC-30 2.5ø x 9M (.10ø x 30') HM81BC-60, HM81WC-60 2.5ø x 18M (.10ø x 60')

# HANGING MIC DIMENSIONS



# FREQUENCY RESPONSE

## HM SERIES CONDENSER HANGING MICROPHONES - CARDIOID



# POLAR PATTERNS

## CARDIOID POLAR PATTERNS

