

SPECIFICATION SHEET

Model GM12SLR, GM18SLR

Contractor Microphone

DESCRIPTION

The GM Series is a family of gooseneck-mounted miniature electret condenser and dynamic microphones. Designed primarily for speech and vocal reinforcement applications, they are ideal in boardrooms, conference and meeting rooms, simultaneous translation environments, council chambers, courtrooms, and places of worship. Whether it is on a lectern or pulpit, on a desktop or conference table, the Avlex GM Series Microphones are the perfect solution. Includes a built-in preamplifier.

FEATURES

GM12SLR & GM18SLR

- **Cardioid polar pattern**
- **Wide dynamic range**
- **Balanced preamplifier output**
- **On/Off switch**
- **Light Ring illuminates when switch is on & phantom power is applied**
- **Shock mount isolates vibration noise**
- **Compression-lock flange mount included**
- **Black foam windscreen included**

REPLACEMENT PARTS & ACCESSORIES

- **GM2-WS** Black foam windscreen
- **GM-FM** Compression-Lock flange mount
- **GM-SHM** Shock mount for GM gooseneck microphone
- **SA-3** Stand adaptor



APPLICATIONS

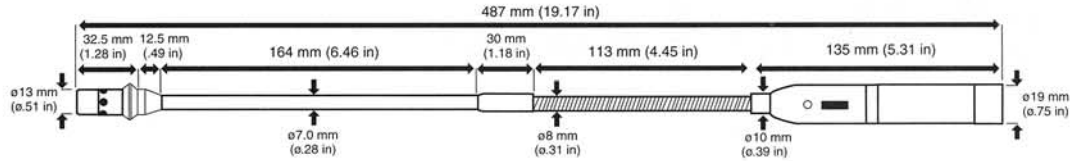
For vocal reinforcement applications.

SPECIFICATIONS

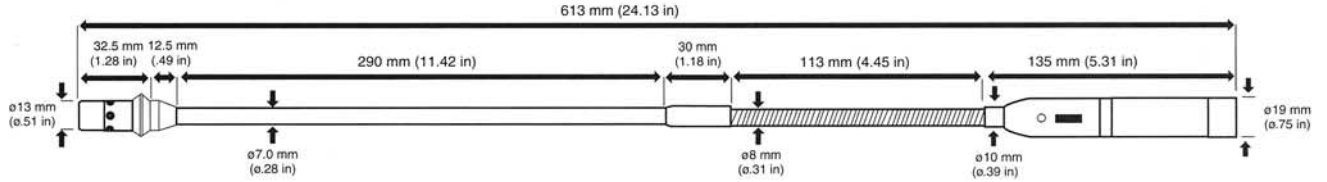
GM12SLR & GM18SLR	
ELEMENT:	Condenser
PATTERN:	Cardioid
FREQ. RES.:	70Hz~16KHz
IMPEDANCE:	200Ω±30%
SENSITIVITY:	-63dB±3dB
MAX. SPL:	105dB
S/N RATIO:	55dB
DYNAMIC RANGE:	90dB
MUTE SWITCH:	Yes
POLARITY:	Positive pressure on diaphragm produces positive voltage on pin 2 relative to pin 3
POWER REQUIREMENTS:	48V D.C. Phantom
OUTPUT CONNECTOR:	3 pin XLR Male

GOOSENECK DIMENSIONS

GM12SLR

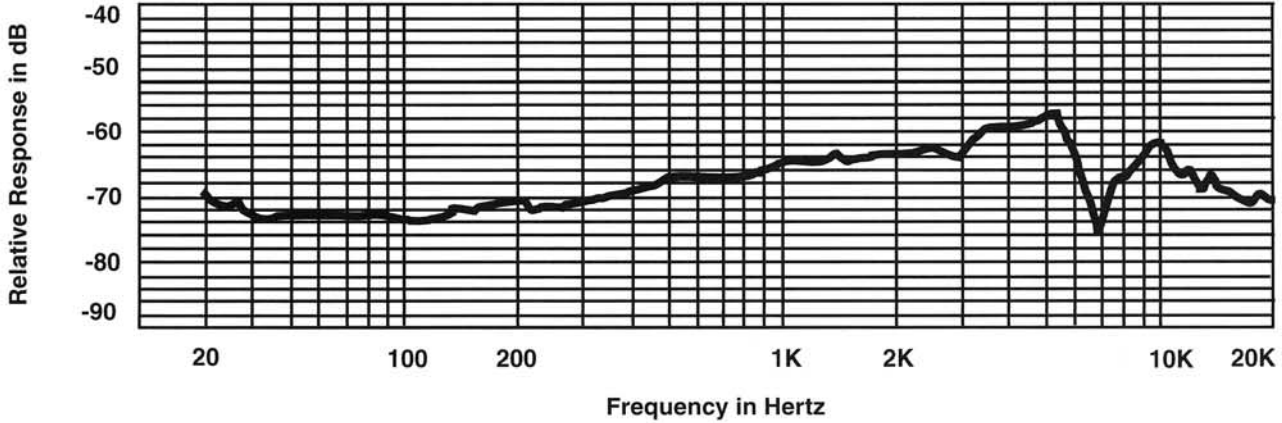


GM18SLR



FREQUENCY RESPONSE

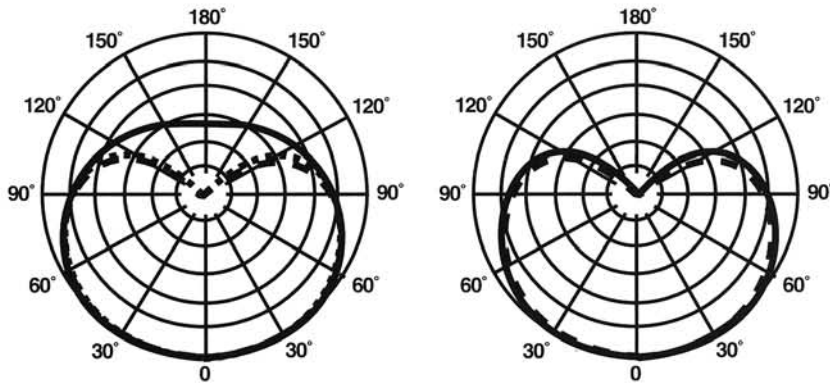
GM12SLR & GM18SLR Microphones



POLAR PATTERNS

CARDIOID POLAR PATTERNS

GM12SLR & GM18SLR Microphones



250Hz —————
 500Hz
 1KHz - - - - -

2KHz —————
 10KHz - - - - -