

SPECIFICATION SHEET

Model GM12SEC

Contractor Microphone

DESCRIPTION

The GM Series is a family of gooseneck-mounted miniature electret condenser and dynamic microphones. Designed primarily for speech and vocal reinforcement applications, they are ideal in boardrooms, conference and meeting rooms, simultaneous translation environments, council chambers, courtrooms, and places of worship. Whether it is on a lectern or pulpit, on a desktop or conference table, the Avlex GM Series Microphones are the perfect solution. All models include a preamplifier, and most are available with interchangeable cardioid, supercardioid, and omnidirectional cartridges.

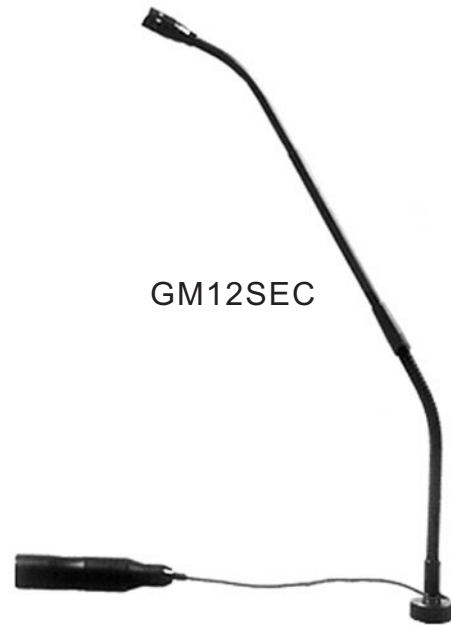
FEATURES

GM12SEC

- **Cardioid polar pattern**
- **Interchangeable cartridge design**
- **Cable can exit either through the side or the bottom of the microphone base**
- **Wide dynamic range**
- **Balanced preamplifier output**
- **Shock mount isolates vibration noise**
- **Compression-lock flange mount included**
- **Black foam windscreen included**

REPLACEMENT PARTS & ACCESSORIES

- **GM1-WS** **Black foam windscreen**
- **GM-FM** **Compression-Lock flange mount**
- **GM-SHM** **Shock mount for GM gooseneck microphone**
- **GM-TF** **Threaded flange mount for GM12SEC**
- **GM-BA** **Shock mount barrel adaptor for GM12SEC**
- **O-B** **Black omnidirectional element**
- **S-B** **Black supercardioid element**
- **C-B** **Black cardioid element**



GM12SEC

APPLICATIONS

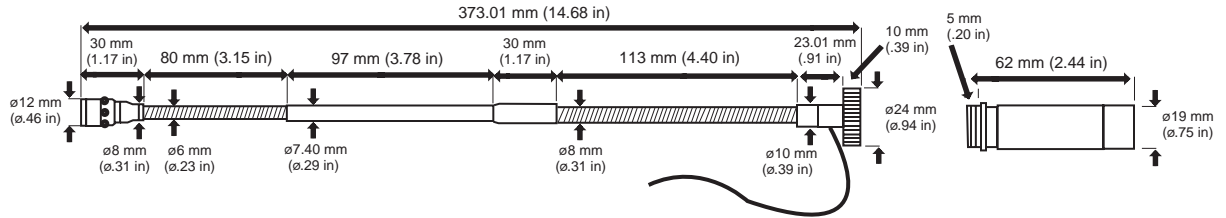
For vocal reinforcement applications.

SPECIFICATIONS

	GM12SEC
ELEMENT:	Condenser
PATTERN:	Cardioid
FREQ. RES.:	30Hz~18KHz
IMPEDANCE:	200Ω±30%
SENSITIVITY:	-65dB±3dB
MAX. SPL:	135dB
S/N RATIO:	65dB
DYNAMIC RANGE:	100dB
MUTE SWITCH:	None
POLARITY:	Positive pressure on diaphragm produces positive voltage on pin 2 relative to pin 3
POWER REQUIREMENTS:	22V~52V D.C. Phantom
OUTPUT CONNECTOR:	3 pin XLR Male

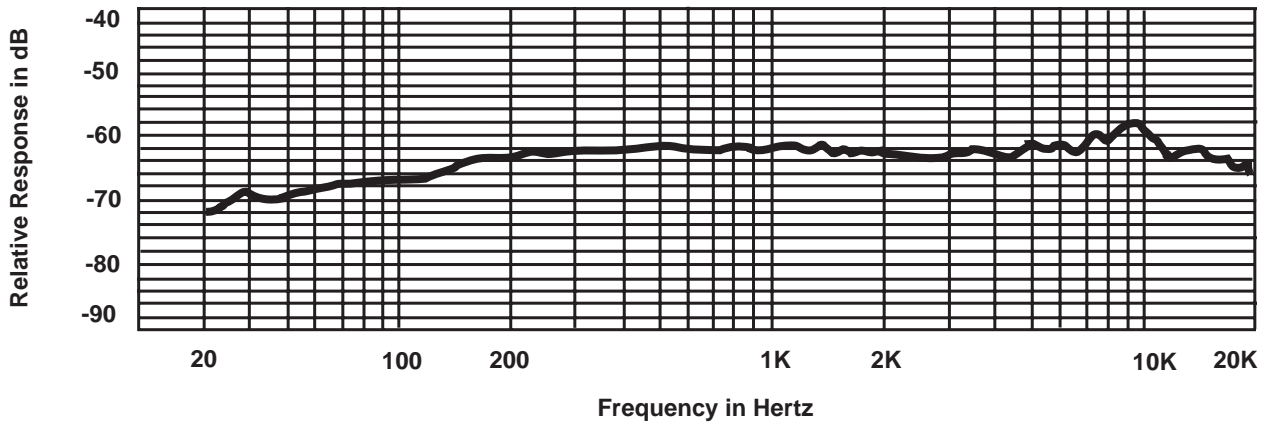
GOOSENECK DIMENSIONS

GM12SEC



FREQUENCY RESPONSE

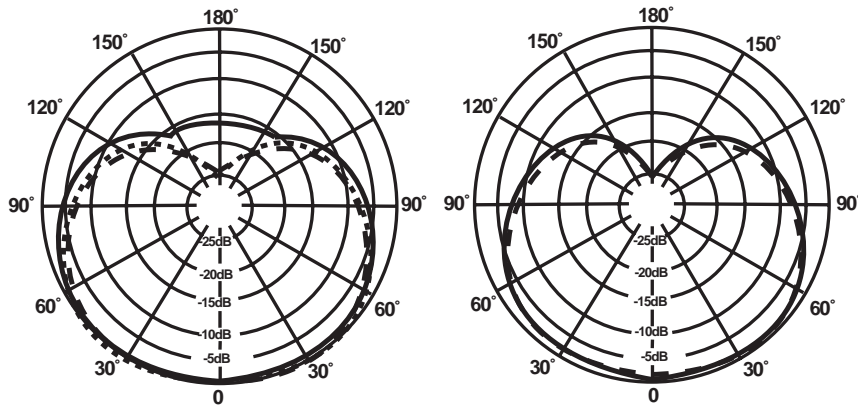
GM12SEC Microphone



POLAR PATTERNS

CARDIOID POLAR PATTERNS

GM12SEC Microphone



250Hz —————
 500Hz
 1KHz - - - - -

2KHz —————
 10KHz - - - - -