

SPECIFICATION SHEET

Model GM12LR, GM18LR

Contractor Microphone

DESCRIPTION

The GM Series is a family of gooseneck-mounted miniature electret condenser and dynamic microphones. Designed primarily for speech and vocal reinforcement applications, they are ideal in boardrooms, conference and meeting rooms, simultaneous translation environments, council chambers, courtrooms, and places of worship. Whether it is on a lectern or pulpit, on a desktop or conference table, the Avlex GM Series Microphones are the perfect solution. Includes a built-in preamplifier.

FEATURES

GM12LR & GM18LR

- **Cardioid polar pattern**
- **Wide dynamic range**
- **Balanced preamplifier output**
- **Shock mount isolates vibration noise**
- **Compression-lock flange mount included**
- **Black foam windscreen included**

REPLACEMENT PARTS & ACCESSORIES

- **GM2-WS** Black foam windscreen
- **GM-FM** Compression-Lock flange mount
- **GM-SHM** Shock mount for GM gooseneck microphone
- **SA-3** Stand adaptor



APPLICATIONS

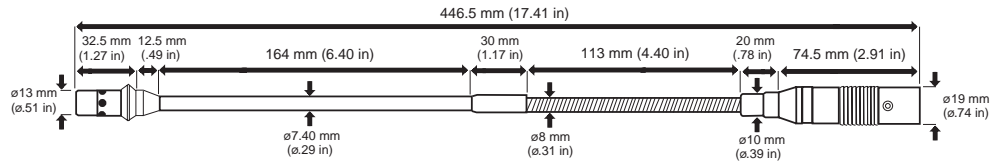
For vocal reinforcement applications.

SPECIFICATIONS

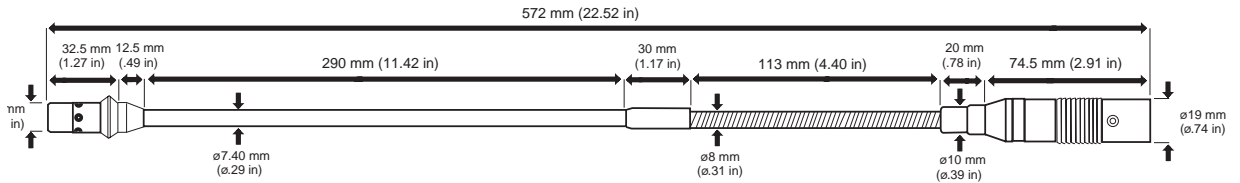
	GM12LR & GM18LR
ELEMENT:	Condenser
PATTERN:	Cardioid
FREQ. RES.:	70Hz~16KHz
IMPEDANCE:	200Ω±30%
SENSITIVITY:	-63dB±3dB
MAX. SPL:	105dB
S/N RATIO:	55dB
DYNAMIC RANGE:	90dB
MUTE SWITCH:	None
POLARITY:	Positive pressure on diaphragm produces positive voltage on pin 2 relative to pin 3
POWER REQUIREMENTS:	48V D.C. Phantom
OUTPUT CONNECTOR:	3 pin XLR Male

GOOSENECK DIMENSIONS

GM12LR

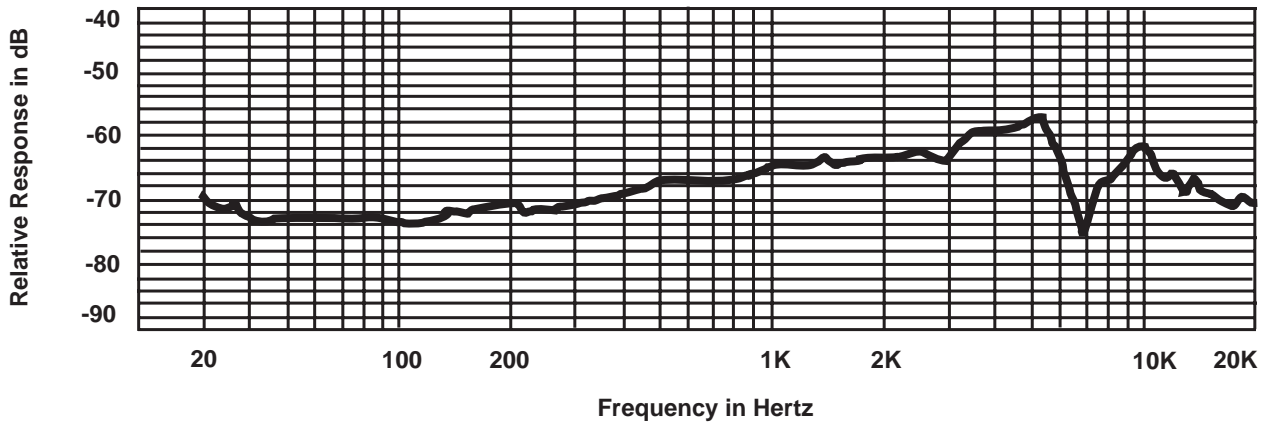


GM18LR



FREQUENCY RESPONSE

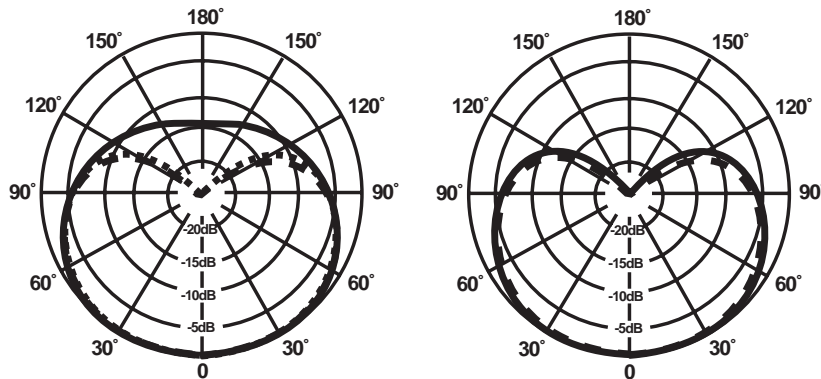
GM12LR & GM18LR Microphones



POLAR PATTERNS

CARDIOID POLAR PATTERNS

GM12LR & GM18LR Microphones



250Hz —————
 500Hz
 1KHz - - - - -

2KHz —————
 10KHz - - - - -