

## SPECIFICATION SHEET

### Model GM12DG, GM18DG

### Contractor Microphone

#### DESCRIPTION

The GM Series is a family of gooseneck-mounted miniature electret condenser and dynamic microphones. Designed primarily for speech and vocal reinforcement applications, they are ideal in boardrooms, conference and meeting rooms, simultaneous translation environments, council chambers, courtrooms, and places of worship. Whether it is on a lectern or pulpit, on a desktop or conference table, the Avlex GM Series Microphones are the perfect solution. Includes a built-in preamplifier.

#### FEATURES

##### GM12DG & GM18DG

- **Cardioid polar pattern**
- **Wide dynamic range**
- **Balanced preamplifier output**
- **Shock mount isolates vibration noise**
- **Compression-lock flange mount included**
- **Black foam windscreen included**

#### REPLACEMENT PARTS & ACCESSORIES

- **DGM1-WS** Black foam windscreen
- **GM-FM** Compression-Lock flange mount
- **GM-SHM** Shock mount for GM gooseneck microphone
- **SA-3** Stand adaptor



#### APPLICATIONS

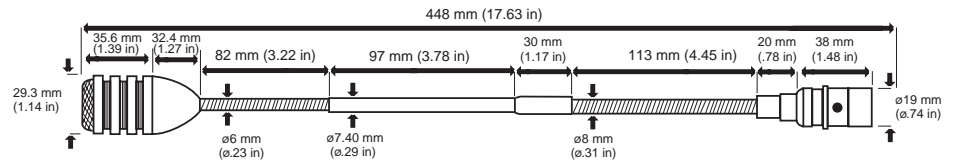
For vocal reinforcement applications.

#### SPECIFICATIONS

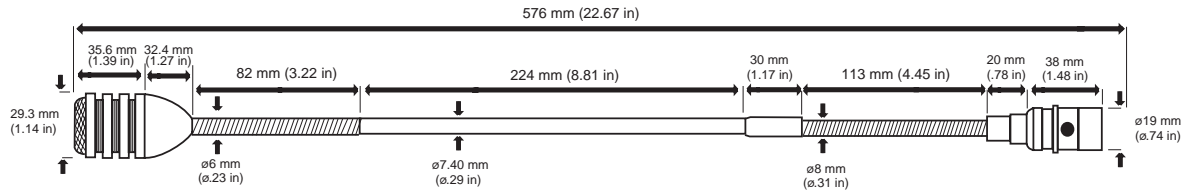
	GM12DG & GM18DG
<b>ELEMENT:</b>	Dynamic
<b>PATTERN:</b>	Cardioid
<b>FREQ. RES.:</b>	100Hz~12KHz
<b>IMPEDANCE:</b>	500Ω±30%
<b>SENSITIVITY:</b>	-75dB±3dB
<b>MAX. SPL:</b>	130dB
<b>S/N RATIO:</b>	68dB
<b>DYNAMIC RANGE:</b>	115dB
<b>MUTE SWITCH:</b>	None
<b>POLARITY:</b>	Positive pressure on diaphragm produces positive voltage on pin 2 relative to pin 3
<b>POWER REQUIREMENTS:</b>	n/a
<b>OUTPUT CONNECTOR:</b>	3 pin XLR Male

# GOOSENECK DIMENSIONS

**GM12DG**

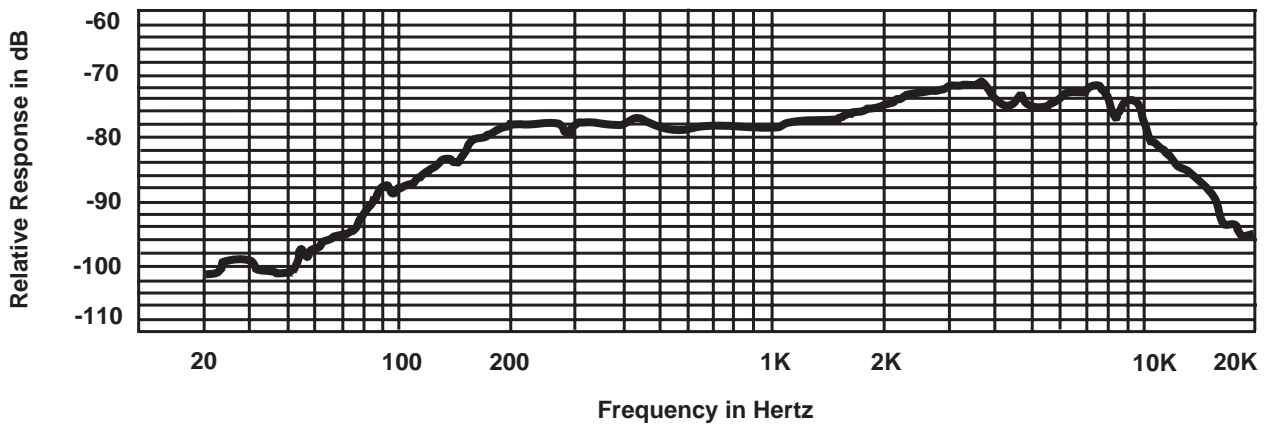


**GM18DG**



# FREQUENCY RESPONSE

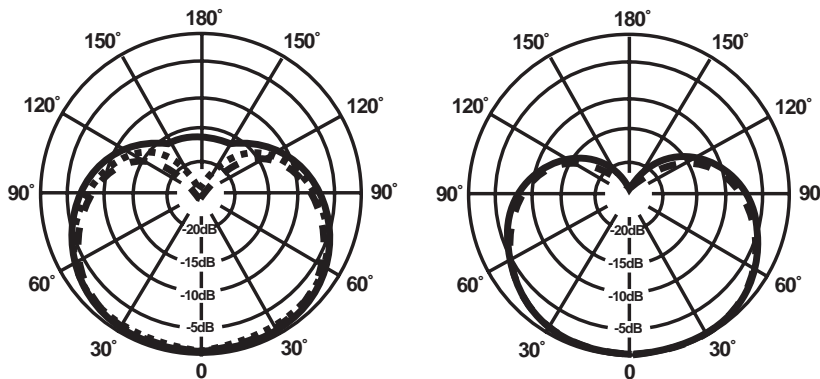
**GM12DG & GM18DG Microphones**



# POLAR PATTERNS

**CARDIOID POLAR PATTERNS**

**GM12DG & GM18DG Microphones**



250Hz —————  
 500Hz .....  
 1KHz - - - - -

2KHz —————  
 10KHz - - - - -